

The fastest installation in gypsum plasterboard



BUILDING MATERIALS

- Gypsum plasterboard, single and double-planked

CERTIFICATES



ADVANTAGES

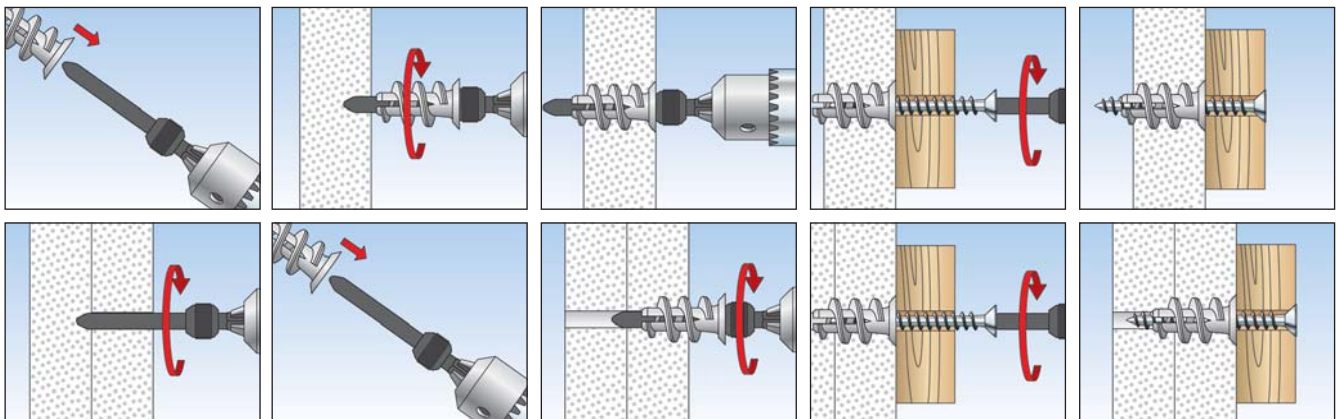
- The included setting tool combines the drilling and fixing setting functions. It thus allows for a fast and simple installation.
- The sharp, self-tapping thread of the GK enables a secure, positive fit fixing. This achieves a high load-bearing capacity.
- The short fixing length means that only a small amount of space is required behind the board. As a result, the GK can also be used in the case of unknown board thickness and cavity depth.
- The cross-drive recess in the head of the fixing means that the GK can also be screwed out like a screw without a setting tool.
- The GK can be used with the most wide-ranging screws, hooks and eye screws. This allows for a broad range of applications.

APPLICATIONS

- Pictures
- Lighting
- Electrical installations
- Fitting accessories
- Series installations

FUNCTIONING

- The gypsum plasterboard fixing GK is suitable for pre-positioned installation.
- The GK is screwed flush into the gypsum plasterboard using the setting tool provided. Overtightening the fixing should be avoided. Therefore, the installation torque should be limited when using a battery operated screwdriver.
- Adapted for wood, self-tapping and chipboard screws of 4.0 to 5.0 mm diameter.
- For board thicknesses greater than 15 mm, drill a hole first by using the setting tool.
- Not suitable for gypsum fibreboard and tiled plasterboard.



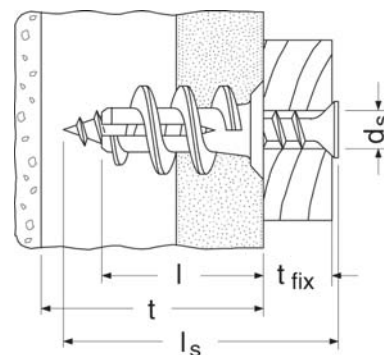
TECHNICAL DATA



Plasterboard fixing **GK**



Plasterboard fixing **GKS**



Item	Art.-No.	Anchor length l [mm]	Min. thickness to first supporting layer t [mm]	Max. fixture thick- ness t _{fix} [mm]	Screw d _s x l _s [mm]	Drive	Sales unit [pcs]
GK	052389 ¹⁾²⁾	22	25	—	4,0 - 5,0 x L _s	—	100
GK S	052390 ¹⁾³⁾	22	25	13	4,5 x 35	PZ2	50

1) Including installation tool GWK.

2) Min. screw length = length of plug 22 mm + thickness of building component.

3) Supplied with plasterboard screw.

ACCESSORIES



Installation tool **GWK**



PROFI-BOX GK

Item	Art.-No.	Contents	Sales unit [pcs]
GWK	052393	-	10
PROFI-BOX GK	518528	50 Plasterboard fixings GK, 1 Installation tool, 38 Chipboard screws 4,5 x 35, 6 Angle hooks 4,2 x 40, 6 Round hooks 4 x 46	1

LOADS

Plasterboard fixing GK

Highest recommended loads¹⁾ for a single anchor.

The given loads are valid for chipboard screws with the specified diameter.

Type	GK		
Chipboard screw	Ø [mm]		4,0 - 5,0
Recommended loads in the respective base material F_{rec} ²⁾			
Gypsum plasterboard	9,5 mm	[kN]	0,07
Gypsum plasterboard	12,5 mm	[kN]	0,08
Gypsum plasterboard	2 x 12,5 mm	[kN]	0,11

¹⁾ Required safety factors are considered.

²⁾ Valid for tensile load, shear load and oblique load under any angle.