

The self-drilling plasterboard plug for fast and easy installation



Smoke detectors



Mirrors

7

Cavity fixings

BUILDING MATERIALS

- Gypsum plasterboard, single and double-planked
- Gypsum fibreboard
- Lightweight cement boards

CERTIFICATES



ADVANTAGES

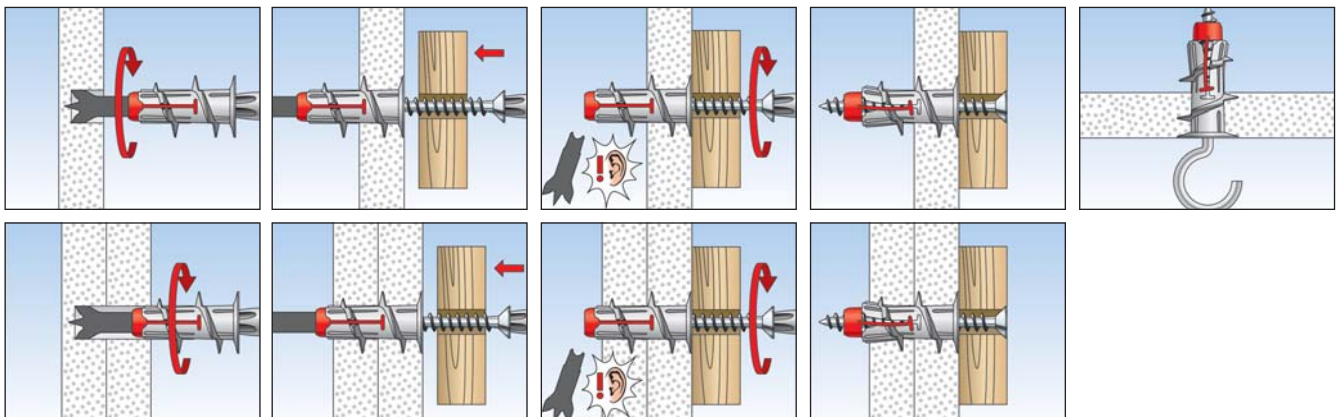
- An innovative product of the fischer DUO-Line with intelligent combinations for more power and more intelligence.
- The self-drilling fischer DUOBLADE allows fast and easy installation in gypsum plasterboard and gypsum fibreboard.
- The black metal tip guarantees simple and safe installation.
- High torque when anchor is installed for the feelgood-factor and an optimum feeling when setting.
- PZ 2 drive - same drive for plug and screw.

APPLICATIONS

- Smoke detectors
- Mirrors
- Curtain rods
- Blinds
- Lamps
- Pictures

FUNCTIONING

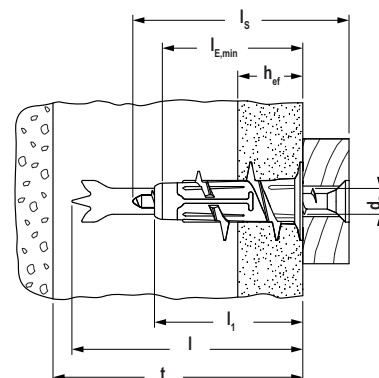
- The fischer DUOBLADE is suitable for pre-positioned installation.
- The metal tip for better heat-resistant and cutting characteristics. Especially in double-layered plasterboard.
- The fischer DUOBLADE can be used with wood, metal and chipboard screws of Ø4.0 to Ø5.0 mm.



TECHNICAL DATA



DUOBLADE



| Item | Art.-No. | Min. thickness to first supporting layer t [mm] | Anchor length l [mm] | Anchor length without drill tip l ₁ [mm] | Anchorage depth h _{ef} [mm] | Min. bolt penetration l _{E,min} [mm] | Wood and chipboard screws d _S / d _S x l _S [mm] | Drive | Sales unit [pcs] |
|-------------------------|-----------------------------|-------------------------------------------------------|----------------------------|-----------------------------------------------------------|--------------------------------------------|-----------------------------------------------------|---------------------------------------------------------------------------------------|-------|---------------------|
| DUOBLADE | 545675 | 50 | 44 | 29 | 9,5 - 25 | 28 | 4 - 5 | — | 50 |
| DUOBLADE S | 545676 ¹⁾ | 50 | 44 | 29 | 9,5 - 25 | 28 | 4,5 x 40 | PZ2 | 25 |
| DUOBLADE K NV | 545683 | 50 | 44 | 29 | 9,5 - 25 | 28 | 4 - 5 | — | 10 |
| DUOBLADE S K NV | 545684 ¹⁾ | 50 | 44 | 29 | 9,5 - 25 | 28 | 4,0 x 46 | PZ2 | 6 |
| DUOBLADE WH K NV | 545685 ²⁾ | 50 | 44 | 29 | 9,5 - 25 | 28 | 4,2 x 40 | — | 6 |
| DUOBLADE RH K NV | 545686 ³⁾ | 50 | 44 | 29 | 9,5 - 25 | 28 | 4,5 x 40 | — | 6 |

1) With chipboard screw countersunk head.

2) With screw with angle hook.

3) With screw with round hook.

LOADS

Plasterboard fixing DUOBLADE

Highest recommended loads¹⁾ for a single anchor.

The given loads are valid for chipboard screws with the specified diameters.

| Type | | | DUOBLADE |
|----------------------------------------------------------------------------------------|-------------|------|-----------|
| Chipboard screw | Ø | [mm] | 4,0 - 5,0 |
| Recommended loads in the respective base material F_{rec} ²⁾ | | | |
| Gypsum plasterboard | 9,5 mm | [kN] | 0,08 |
| Gypsum plasterboard | 12,5 mm | [kN] | 0,10 |
| Gypsum plasterboard (e.g. Knauf Diamant board or Rigips Die Harte) | 12,5 mm | [kN] | 0,18 |
| Gypsum plasterboard | 2 x 12,5 mm | [kN] | 0,20 |
| Lightweight Cement Board | 12,5 mm | [kN] | 0,08 |
| Gypsum fibreboard | 12,5 mm | [kN] | 0,34 |

¹⁾ Required safety factors are considered.

²⁾ Valid for tensile load, shear load and oblique load under any angle.